

LASER TRACKBALL (X-range) OPTIONS

Halo backlit ring or/and anti-vibration option



HALO BACKLIT RING FEATURE

Available on X25, X38 and X50 laser trackballs

Utilizing the latest and most advanced laser tracking technology, the HALO Series laser Trackerball™ is an extremely high specification, contact-less device, ideal for use in low level light environments where accurate cursor control is critical.

The trackball incorporates an illuminated ring around the ball to enable the user to locate the trackball in low light environments and offers an ideal solution for applications where a backlit ball would be too obtrusive. The HALO feature can also be used to compliment other backlit features incorporated within a user interface panel and is available in a wide range of colours. The laser tracking engine provides accurate cursor motion at all speeds and on virtually any ball, combining the benefits of solid state sensing (no moving parts except the ball) The design also incorporates a removable top ring as standard to allow for easy cleaning, decontamination, sterilisation and maintenance - ensuring continued optimum performance and operation under the harshest of conditions. The trackball has been designed to be back of panel mounted as part of OEM keyboards and consoles..

- Available with X25, X38 and X50
- Sealing up to IP68
- Smooth operation in rugged environments
- Various colours and top plate configurations

See details on datasheets of the [X25](#), [X38](#) or [X50](#) laser trackballs. Same specifications except for the supply current : 80mA typical, 130mA max. For dimensional drawings, see next pages.

HALO LIGHT FEATURE

The X50 Series HALO trackball provides all the features of the standard X50 trackball module with the inclusion of an illuminated ring surrounding the ball. The light ring provides an excellent means of locating the trackball in low level light environments and also serves as an aesthetic feature to compliment other illuminated components incorporated within a user interface panel. The figures show the HALO feature in its powered and non-powered state.



Trackball light ring
Non-illuminated



Trackball light ring
Illuminated

ANTI-VIBRATION FEATURE

Available on X38 and X50

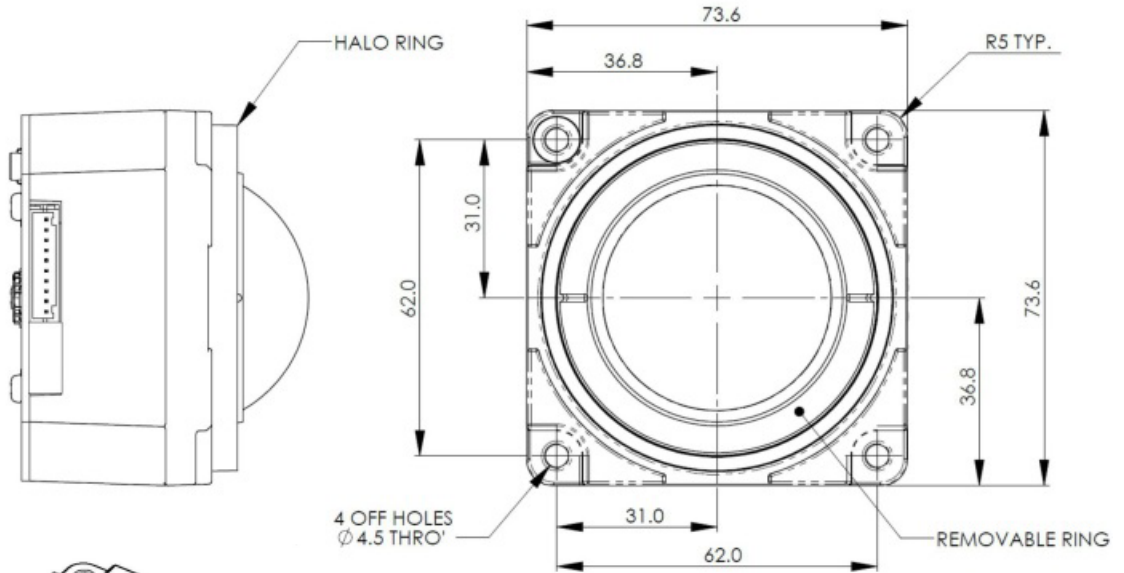
- Electronically disables Trackball when not touched
- Universal Feature - available on 38 & 50mm Laser trackball units (X-range)
- Avoids unintentional movement of cursor caused by vibrations
- Adjustable sensitivity – works with gloves
- Suitable for a wide variety of applications – Medical, Marine, Aviation

See details on datasheets of the [X38](#) or [X50](#) laser trackballs.

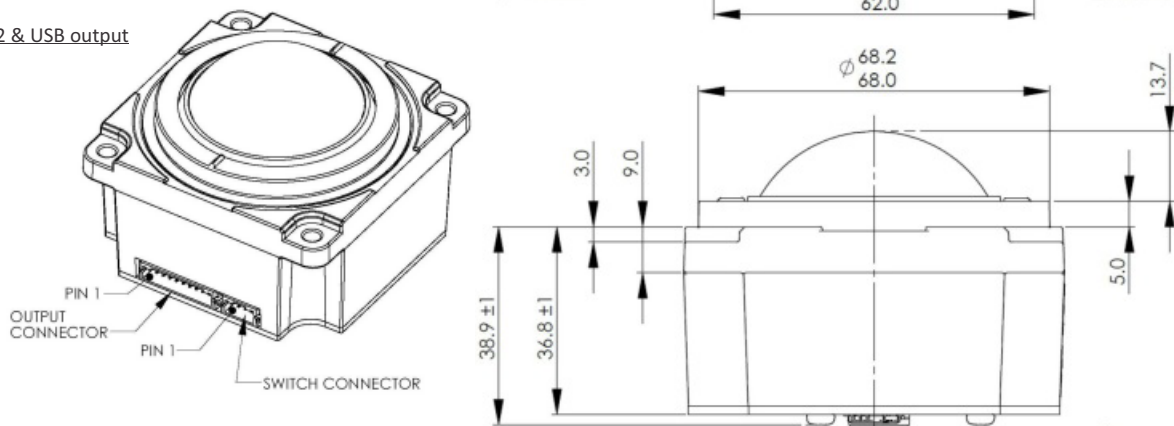
LASER TRACKBALL (X-range) OPTIONS
Halo backlit ring or/and anti-vibration option

DIMENSIONAL DRAWING

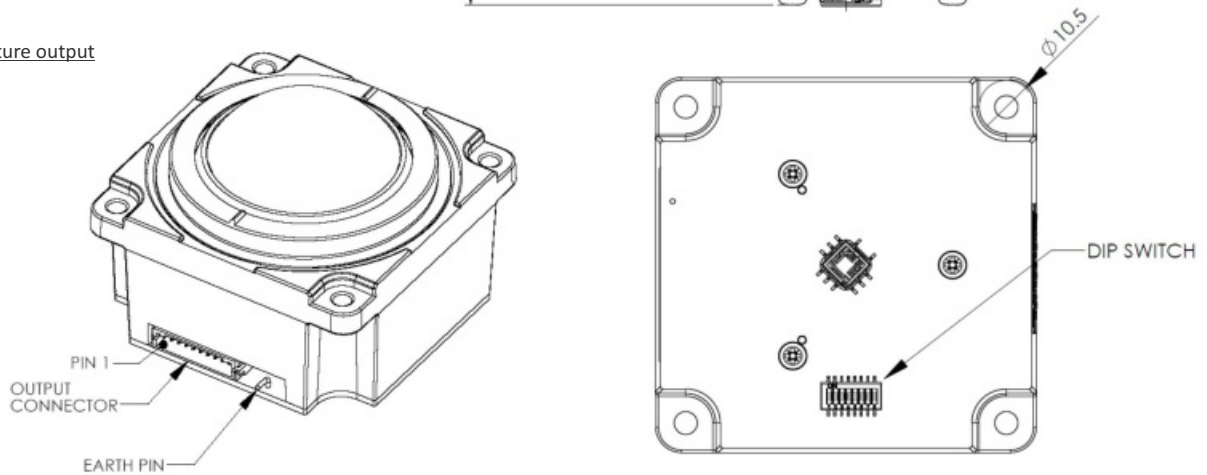
X50 with Halo ring



PS/2 & USB output



quadrature output



dimensional drawings of the X25 and X38 with Halo on request

The company reserves the right to alter without prior knowledge the specification or design of any standard product or service.

LASER TRACKBALL (X-range) OPTIONS

Halo backlit ring or/and anti-vibration option

ORDER INFO - HALO BACKLIT RING

TRACKBALL	OUTPUT	DAMPER RING	RUBBER SEAL	PTFE SEAL
25 mm ball	Quadrature	X25-70021D-H00z	X25-70022D-H00z	
	PS/2 & USB	X25-76021D-H00z	X25-76022D-H00z	
38 mm ball	Quadrature	X38-70021D-H00z		X38-70023D-H00z
	PS/2 & USB	X38-76021D-H00z		X38-76023D-H00z
50 mm ball	Quadrature	X50-70021D-H00z		X50-70023D-H00z
	PS/2 & USB	X50-76021D-H00z		X50-76023D-H00z

z = Halo backlit colour

B = Blue
G = Green
R = Red
W = White
Y = Yellow

Example : X50-76021D-H00B = 50 mm trackball, damper ring, PS/2-USB output, blue backlit Halo

ORDER INFO - ANTI-VIBRATION OPTION

TRACKBALL	OUTPUT	DAMPER RING	RUBBER SEAL	PTFE SEAL
38 mm ball	Quadrature	X38-70021D-V		X38-70023D-V
	PS/2 & USB	X38-76021D-V		X38-76023D-V
50 mm ball	Quadrature	X50-70021D-V		X50-70023D-V
	PS/2 & USB	X50-76021D-V		X50-76023D-V

For the anti-vibration option, add suffix "V" to the X38 or X50 type

Example : X38-70021D-V = 38 mm trackball, damper ring, quadrature output, with anti-vibration option

ORDER INFO - HALO BACKLIT RING & ANTI-VIBRATION OPTION

TRACKBALL	OUTPUT	DAMPER RING	RUBBER SEAL	PTFE SEAL
38 mm ball	Quadrature	X38-70021D-HV0z		X38-70023D-HV0z
	PS/2 & USB	X38-76021D-HV0z		X38-76023D-HV0z
50 mm ball	Quadrature	X50-70021D-HV0z		X50-70023D-HV0z
	PS/2 & USB	X50-76021D-HV0z		X50-76023D-HV0z

z = Halo backlit colour

B = Blue
G = Green
R = Red
W = White
Y = Yellow

Example : X50-76023D-HV0W = 50 mm trackball, PTFE seal, PS/2 & USB output, white backlit Halo & anti vibration option

These Halo and anti-vibration trackballs are no NSI stock items. Longer lead times can apply.

No **cables** are supplied with the optical trackball modules. Please use the corresponding datasheet on our website for the detailed typenumbers They can be ordered separately.

For more technical details, see datasheets of the [X25](#), [X38](#) or [X50](#) laser trackballs.